

JQX-102F

MINIATURE HIGH POWER RELAY



File No.:E134517



File No.:R2033807



File No.:CQC02001001955



Features

- 4.5KV dielectric coil to contact
- Heavy load up to 5000VA
- Ideal for motor switching

CONTACT DATA

Contact Arrangement	1A
Initial Contact Resistance	30mΩ (at 1A 24VDC)
Contact Material	AgCdO
Contact Rating	Rated Load: 20A Inrush: 80A,0.3s(cosφ=0.7) Break: 20A(cosφ=0.9)
Max. switching voltage	250VAC
Max. switching current	Rated Load:20A Motor Load:80A
Max. switching power	5000VA
Mechanical life	2 x 10 ⁶ OPS
Electrical life	1 x 10 ⁶ OPS

COIL

Coil power	DC:0.9W
------------	---------

COIL DATA

Nominal Voltage VDC	Pick-up Voltage VDC	Drop-out Voltage VDC	Max. allowable Voltage VDC(at 20°C)	Coil Resistance Ω
5	3.5	0.5	120%	27.8 ± 10%
12	8.4	1.2	120%	160 ± 10%
24	16.8	2.4	120%	640 ± 10%
48	33.6	4.8	120%	2560 ± 10%

SAFETY APPROVAL RATINGS

UL	20A @250VAC 1HP@120VAC 2HP@240VAC
TUV	20A@250VAC

CHARACTERISTICS

Initial Insulation Resistance	1000MΩ 500VDC
Dielectric Strength	Between coil and Contacts 4500VAC 1min.
	Between open contacts 1500VAC 1min.
Operate time (at nomi. Volt.)	20ms
Release time (at nomi. Volt.)	10ms
Shock Resistance	Functional 196 m/s ²
	Destructive 980 m/s ²
Vibration Resistance	DA: 1.5mm, 10 to 55Hz
Ambient temperature	-25°C to +55°C TUV: -25°C to +70°C
Humidity	85%, +40°C
Termination	PCB & QC
Unit weight	Approx. 23g
Construction	Dust Cover



HONGFA RELAY
ISO9001/QS9000/ISO14001 CERTIFIED

VERSION: EN01-20030715

ORDERING INFORMATION

JQX-102F /

P

012

Type

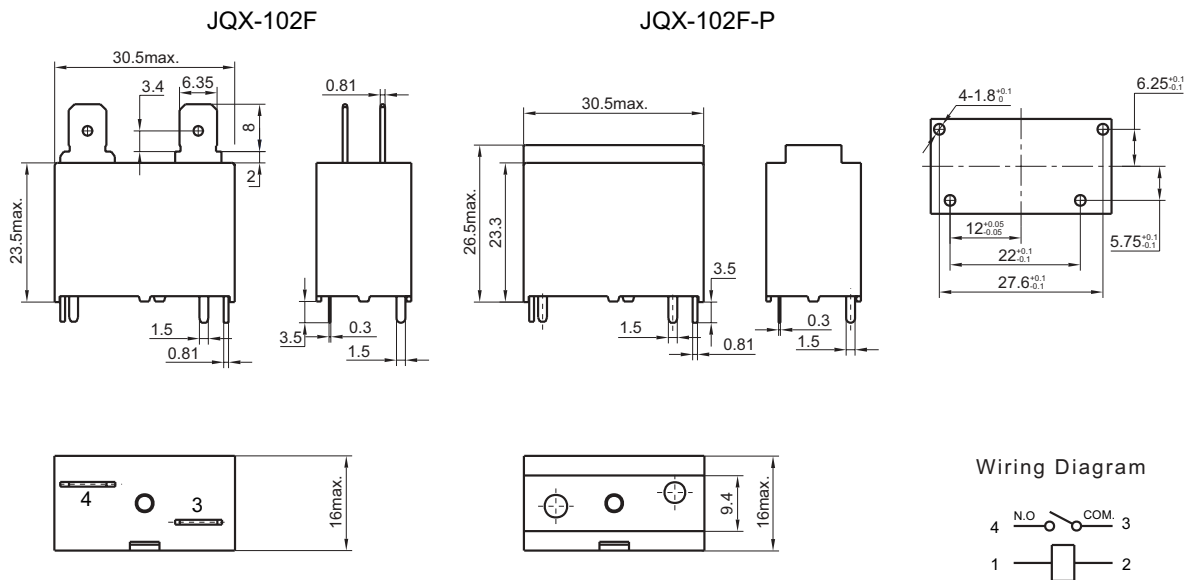
Termination P: PCB NIL: PCB & QC

Coil voltage 5, 12, 24, 48VDC

OUTLINE DIMENSIONS, WIRING DIAGRAM AND PC BOARD LAYOUT

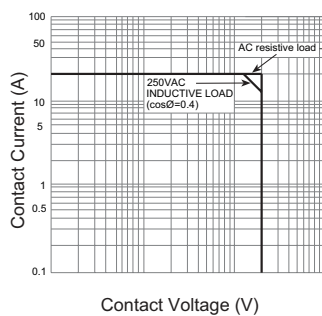
Outline Dimensions

PCB layout



CHARACTERISTICS CURVE

MAXIMUM SWITCHING POWER



LIFE CURVE

